



iCE40 Oscillator Usage Guide

Technical Note

FPGA-TN-02008-1.7

December 2020

Disclaimers

Lattice makes no warranty, representation, or guarantee regarding the accuracy of information contained in this document or the suitability of its products for any particular purpose. All information herein is provided AS IS and with all faults, and all risk associated with such information is entirely with Buyer. Buyer shall not rely on any data and performance specifications or parameters provided herein. Products sold by Lattice have been subject to limited testing and it is the Buyer's responsibility to independently determine the suitability of any products and to test and verify the same. No Lattice products should be used in conjunction with mission- or safety-critical or any other application in which the failure of Lattice's product could create a situation where personal injury, death, severe property or environmental damage may occur. The information provided in this document is proprietary to Lattice Semiconductor, and Lattice reserves the right to make any changes to the information in this document or to any products at any time without notice.

Contents

Acronyms in This Document	4
1. Introduction	5
1.1. Key Features	5
2. On-Chip Oscillator Overview	5
3. I/O Port Description	6
4. Connectivity Guideline	6
5. Power Management Options	8
Appendix A: Design Entry	9
A.1. SB_LFOSC Usage in iCEcube2 Software	9
A.2. SB_HFOSC Usage in iCEcube2 Software	9
A.3. LSOSC Usage in Lattice Radiant Software	9
A.4. HSOSC Usage in Lattice Radiant Software	10
Technical Support Assistance	11
Revision History	12

Figures

Figure 2.1. On-Chip Oscillator	5
Figure 4.1. Oscillator Calibration Example	6
Figure 4.2. Oscillator Used for Dynamic Clock Calibration that Can Be Used On Service LED	7

Tables

Table 3.1. SB_HFOSC/HSOSC I/O	6
Table 3.2. SB_LFOSC/LSOSC I/O	6

Acronyms in This Document

A list of acronyms used in this document.

Acronym	Definition
FPGA	Field Programmable Gate Array
LED	Light Emitting Diode
FSM	Finite State Machine
PWM	Pulse-Width Modulation

1. Introduction

The iCE40™ family, specifically iCE40 Ultra™, iCE40 UltraLite™ and iCE40 UltraPlus™, features two on-chip oscillators. An ultra-low power 10 kHz oscillator is provided for Always-On applications and background polling that allow higher power processors to remain in power-down or sleep mode, conserving overall power consumption. A low power 48 MHz oscillator with output divider is provided for sensor management and pre-processing functions. These oscillators are intended for general clocking of internal logic and state machines.

This document provides guidance to software engineers on integrating these two oscillator types using iCEcube2™ or Lattice Radiant™ Software.

1.1. Key Features

The following oscillators are available to iCEcube2 users:

- SB_LFOSC – Low Frequency Oscillator
- SB_HFOSC – High Frequency Oscillator with output divider

The following oscillators are available to Lattice Radiant Software users:

- LSOSC – Low Frequency Oscillator
- HSOSC – High Frequency Oscillator with output divider

2. On-Chip Oscillator Overview

You can access the two modules: SB_LFOSC and SB_HFOSC with enabled inputs and which you can dynamically control as shown in [Figure 2.1](#).

SB_LFOSC runs at 10 kHz and SB_HFOSC runs at maximum 48 MHz with output divider by 1, 2, 4 or 8. SB_LFOSC and SB_HFOSC provide internal clock sources to user designs. These clocks can directly route to the global clock network or to local fabric.

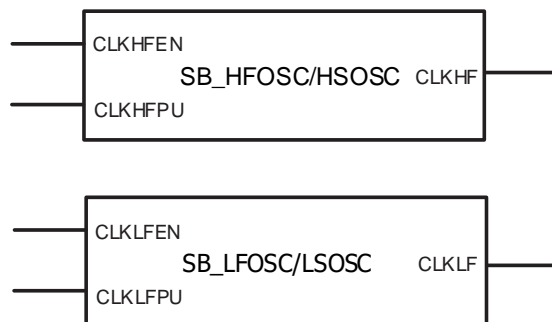


Figure 2.1. On-Chip Oscillator

3. I/O Port Description

Table 3.1. SB_HFOSC/HSOSC I/O

Pin Name	Pin Direction	Description
CLKHFEN	I	Enable the clock output. Enable should be low for the 100 us power up period. This does not stop the oscillator, but only disables the output. Active High.
CLKHF	O	Oscillator Clock Output.
CLKHFPU	I	Power up the oscillator. After power up, output will be stable after 100 us. Active High.

Table 3.2. SB_LFOSC/LSOSC I/O

Pin Name	Pin Direction	Description
CLKLFEN	I	Enable the clock output. Enable should be low for the 100 us power up period. This does not stop the oscillator, but only disables the output. Active High.
CLKLF	O	Oscillator Clock Output.
CLKLFPU	I	Power up the oscillator. After power up, output is stable after 100 us. Active High.

4. Connectivity Guideline

Both the low and high frequency oscillators can be used as a clock source and their outputs are available for the user. They should be connected to the global clock network or local fabric. By default, the outputs are routed to global clock network. To route to local fabric, see the examples in the [Appendix: Design Entry](#) section.

Note that Oscillator cannot provide accurate frequency. For applications that require more accuracy, it is recommended to use calibration circuit to support the oscillator used as clock source. [Figure 4.1](#) shows an example of the use of a reference clock that is only temporarily available for calibration.

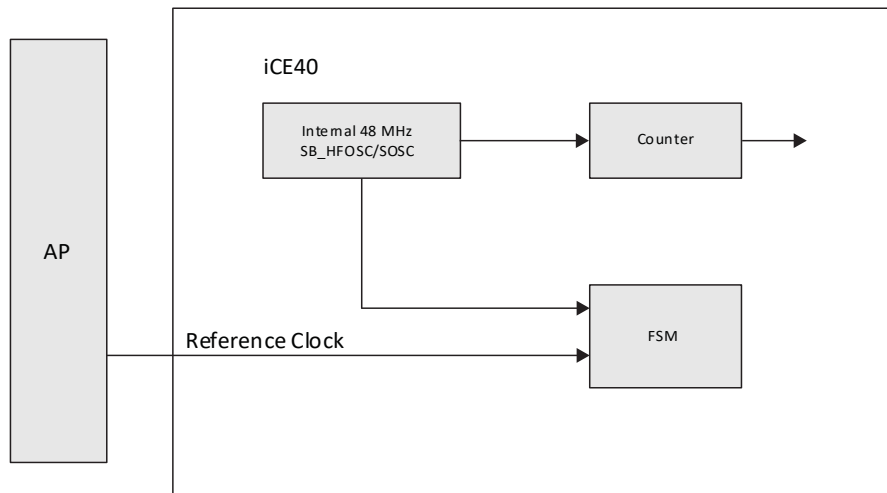


Figure 4.1. Oscillator Calibration Example

The calibration circuit for Oscillator can be improved for the purpose of power saving as shown in [Figure 4.2](#). In this example, 10 kHz oscillator is always on. Calibrated divider provides timing for LED on-off. When LED is on, SB_LFOSC/LSOSC Enable turns on 48 MHz oscillator (SB_HFOSC/HSOSC turns on in two cycles). PWM FSM provides accurate PWM for LED. Power benefit is 48 MHz only when LED is on and minimum power when LED is off.

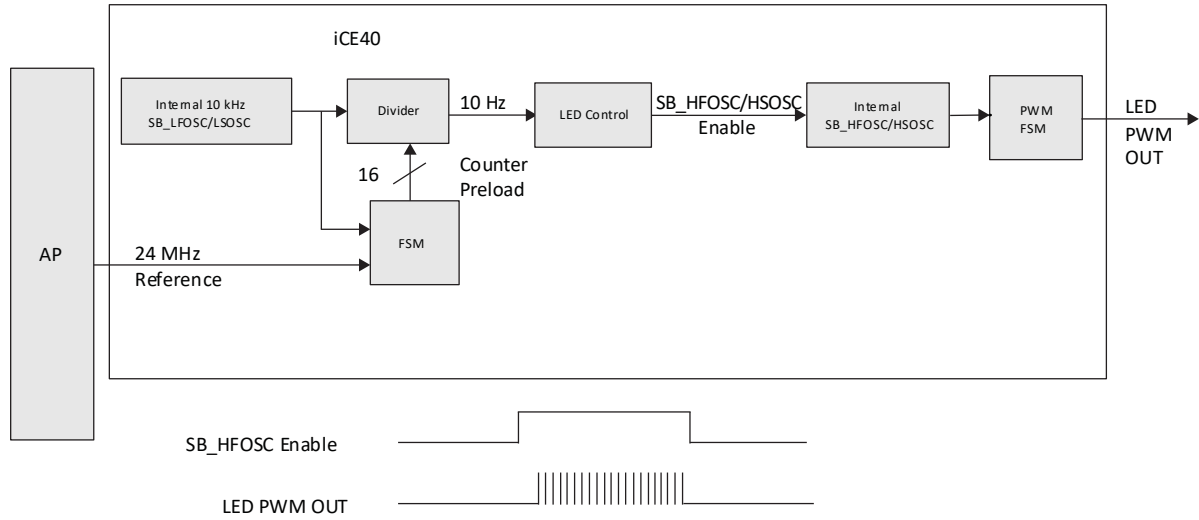


Figure 4.2. Oscillator Used for Dynamic Clock Calibration that Can Be Used On Service LED

5. Power Management Options

When disabled, both the low and high frequency oscillators are in standby mode by default and consume only DC leakage. Always enable them after there is an activity detected and the products return to full power mode for data analysis/processing.

Appendix A: Design Entry

The following examples illustrate oscillator primitive usage in Verilog.

A.1. SB_LFOSC Usage in iCEcube2 Software

Synthesis Attributes

```
/* synthesis ROUTE_THROUGH_FABRIC = <value> */
```

Value:

0: Use dedicated clock network. Default option.

1: Use fabric routes.

Verilog Instantiation

```
SB_LFOSC OSCInst1 (
    .CLKLFEN (ENCLKLF) ,
    .CLKLFPFU (CLKLF_POWERUP) ,
    .CLKLF (CLKLF)
) /* synthesis ROUTE_THROUGH_FABRIC= 1 */; //the value can be either 0 or 1
```

A.2. SB_HFOSC Usage in iCEcube2 Software

Synthesis Attributes

```
/* synthesis ROUTE_THROUGH_FABRIC = <value> */
```

Value:

0: Use dedicated clock network. Default option.

1: Use fabric routes.

Parameter Values

The SB_HFOSC primitive has the following parameter options:

Parameter CLKHF_DIV = "0b00" (default), "0b01", "0b10", "0b11" (Clock divider selection. 0b00 = 48 MHz, 0b01 = 24 MHz, 0b10 = 12 MHz, 0b11 = 6 MHz)

Verilog Instantiation

```
SB_HFOSC OSCInst0 (
    .CLKHFEN (ENCLKHF) ,
    .CLKHFPU (CLKHF_POWERUP) ,
    .CLKHF (CLKHF)
) /* synthesis ROUTE_THROUGH_FABRIC= 1 */; //the value can be either 0 or 1
defparam OSCInst0.CLKHF_DIV = "0b00";
```

A.3. LSOSC Usage in Lattice Radiant Software

Verilog Instantiation

```
LSOSC OSCInst1 (
    .CLKLFEN (ENCLKLF) ,
    .CLKLFPFU (CLKLF_POWERUP) ,
    .CLKLF (CLKLF)
);
```

A.4. HSOSC Usage in Lattice Radiant Software

Parameter Values

The HSOSC primitive has the following parameter options:

Parameter CLKHF_DIV = "0b00" (default), "0b01", "0b10", "0b11" (Clock divider selection. 0b00 = 48 MHz, 0b01 = 24 MHz, 0b10 = 12 MHz, 0b11 = 6 MHz)

Verilog Instantiation

```
HSOSC
# (
  .CLKHF_DIV ("0b00")
) OSCInst0 (
  .CLKHFEN (ENCLKHF),
  .CLKHFPU (CLKHF_POWERUP),
  .CLKHF    (CLKHF)
);
```

Technical Support Assistance

Submit a technical support case via www.latticesemi.com/techsupport.

Revision History

Revision 1.7, December 2020

Section	Change Summary
Appendix A. Design Entry	Updated code in the A.1. SB_LFOSC Usage in iCEcube2 Software and the A.2. SB_HFOSC Usage in iCEcube2 Software sections.

Revision 1.6, July 2020

Section	Change Summary
Acronyms in This Document	Added this section.
Appendix A. Design Entry	Updated Parameter Values and Verilog Instantiation in the SB_HFOSC Usage in iCEcube2 Software section.

Revision 1.5, March 2020

Section	Change Summary
All	Added primitives for Lattice Radiant Software.
Disclaimers	Added this section.

Revision 1.4, September 2017

Section	Change Summary
All	<ul style="list-style-type: none"> Changed document number from TN1296 to FPGA-TN-02008. Updated document template.
Multiple	Fixed the port name of SB_LFOSC and SB_HFOSC modules. Changed Oscillator input pin names: <ul style="list-style-type: none"> CLKHF_EN => CLKHFEN CLKHF_PU => CLKHFPU CLKLF_EN => CLKLFEN CLKLF_PU => CLKLFPU
Connectivity Guideline	Removed clock generation logic information from the Connectivity Guideline section.
Disclaimers	Added this section.

Revision 1.3, June 2016

Section	Change Summary
Introduction	Updated Introduction section. Added iCE40 UltraPlus.

Revision 1.2, April 2015

Section	Change Summary
Connectivity Guideline	Updated Connectivity Guideline section. Added example of clock generation logic.
Technical Support Assistance	Updated Technical Support Assistance section.

Revision 1.1, January 2015

Section	Change Summary
All	Added support for iCE40 UltraLite.

Revision 1.0, June 2014

Section	Change Summary
All	Initial release.



www.latticesemi.com